

Installation Manual

Luxury Health Series: LHS II & LHS



Thank you for choosing our far infrared sauna!

Index

Important safety guidelines	3
Benefit Of Far Infrared Sauna Room	3
How to install the Infrared Sauna Room	4
Color Therapy LED Operating Instruction	9
How to operate the Infrared Sauna Room	10
Trouble Shooting	11
Maintenance	12
Packing List	12
Attachment: Electric appliance principle chart	13

THE MANUAL MUST BE KEPT AVAILABLE FOR FUTURE MAINTENANCE.

IMPORTANT SAFETY GUIDELINES

READ AND FOLLOW ALL INSTRUCTIONS

- A) Before using the far infrared sauna room please read the warning label located inside the cabin.
- B) Additional extension cords or other electrical appliances are not allowed inside the cabin.
- C) When using the sauna room open the ventilation window if you are feeling uncomfortable.
- D) Any modification to the sauna room voids the warranty.
- E) Ensure the heating safety guard is properly installed to avoid electric shock or burns.
- F) Do not take any flammable materials into sauna room.
- G) Other safety precautions:
 - a) Consult with your doctor/physician prior to use of the infrared sauna room.
 - b) Leave immediately when feeling uncomfortable, dizzy, or sleepy.
 - c) Do not use the sauna when under the influence of alcohol or drugs.
 - d) If there are any problems with the sauna contact the location where it was purchased for technical support.
 - e) Disconnect sauna room power supply from wall socket when not in use for long periods.

BENEFIT OF FAR INFRARED SAUNA ROOM

1. Function of Far Infrared Sauna Room

Sweat rooms is an old tradition to sweat the toxins out of the body. The Far Infrared Sauna room is a new type of fashionable beauty and health care product to that old tradition. The carbon fiber heaters give an output of overall and even heat distribution at a low temperature of the sun's beneficial sunlight rays without the harmful ultra violet rays. The far infrared sauna rooms generate far infrared light-waves of 5.6-15 microns that penetrate the skin and deep into tissue that resonate the cells to force the toxic sweat out of the pores. Long term and regular use of the far infrared sauna room will help you to relax your body and mind, relieve fatigue, burn calories, eliminate toxin and clean your body, apart from which, is effective to bursitis, rheumatism, arthritis, and many other ailments and diseases.

2. Benefits of Far Infrared Heat

- Tepid effect: Maintains a low warming temperature, so the user can stay for longer sessions to receive the benefits of the far-infrared heat that help, for example, relieve the negative side of effects of cancer treatments.
- Effect of promoting tissue growth: Far-Infrared heat helps regenerate new tissue growth and help heal wounds.
- Purification effect: Stimulates the circulatory system to promote better blood circulation and improve healthy cell growth that aid in muscle recovery and strengthen the immune system.
- Neutralization effect: Helps rid toxin and neutralize order. The excreta and harmful heavy metals accumulated in the body are flushed out by sweating along with body fat. It can also reduce the surplus salinity of the human body; eliminate the cosmetic remains deep in skin to keep the skin supple and glowing.

3. Features of Far Infrared Sauna Room

- Color Light Therapy
- Easy to Assemble and Disassemble
- Data Sensory
- Time Sensor
- Automatic Heat Preservation
- FM Radio w/ AUX plug-in

INSTALLATION GUIDE

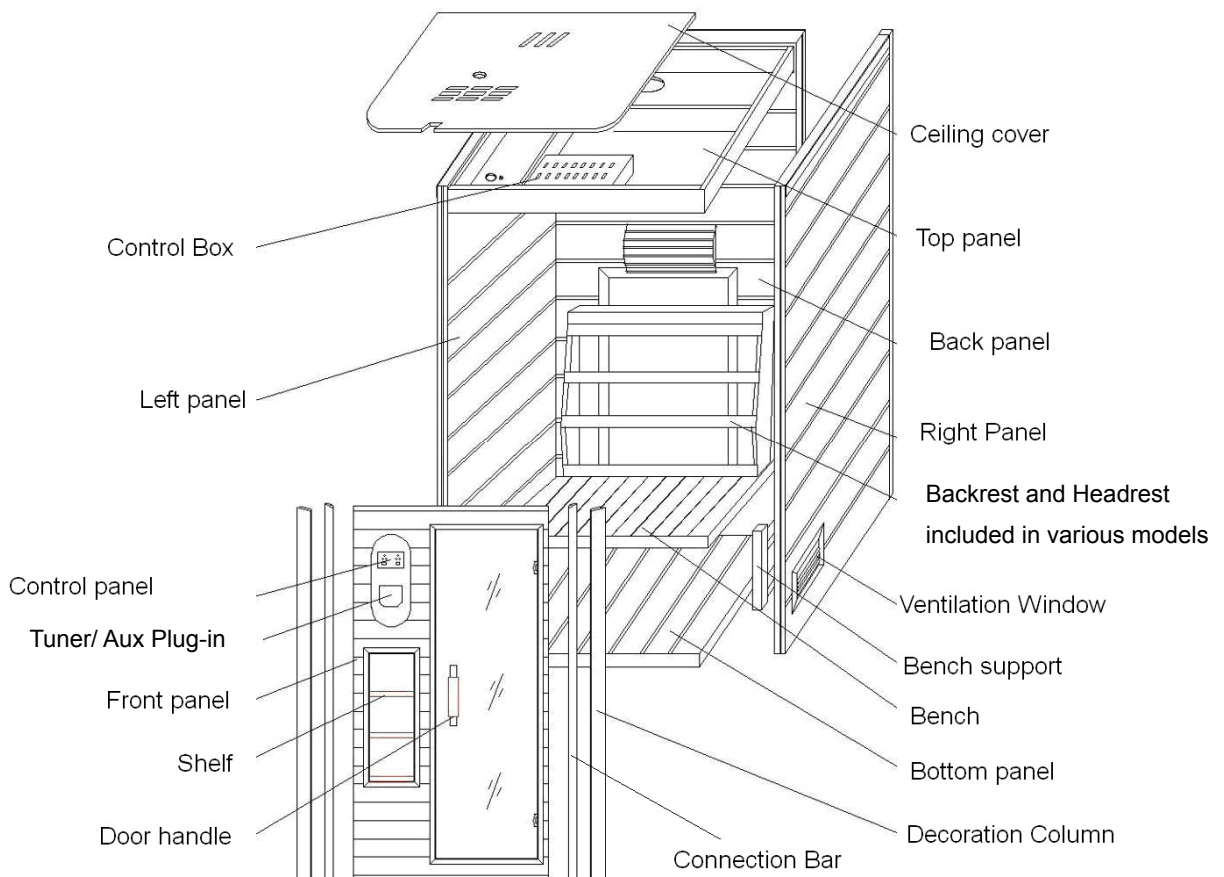
1. Installation requirements

- a. Do not block the entrance/exit; avoid placing anything in front of the door.
- b. Install the sauna on a flat floor.
- c. Install the sauna in a dry place.
- d. Do not use ammonia based products to clean the sauna. Use mild soap and water to wipe down the walls and a dry cloth to wipe off. Use a towel when sitting in your sauna.
- d. Do not store flammable objects or chemical substances near or in the sauna.

2. Installation procedure

■ Before installation

1. Read carefully the structure of the far infrared sauna. Please refer to the chart below. The chart below is a standard diagram for various models. The backrest and headrest and CD player is not included in the Luxury Health Series.



2. Read the package of the Far Infrared Sauna.

For each set of 2-person sauna room, or 3-person sauna room is packed in three cartons.

C/NO: 002 1 of 3; C/NO: 002 2 of 3; and C/NO: 002 3 of 3 are of one unit. **Please note the C/NO should be the same. See FIG-2.**



FIG-2

3. Unpack the cartons; locate the parts on the list

- | | | |
|-----------------------|-----------------|-------------------|
| A. Manual instruction | B. Bottom panel | C. Back panel |
| D. Left panel | E. Right Panel | F. Bench |
| G. Front panel | H. Top panel | I. Ceiling cover |
| J. Door handles | K. Shelf | L. Connection Bar |
| M. Decoration Column | | |

■ **Installation steps**

1. *Place the bottom panel on the floor and near a power supply.* (Note: Please distinguish the front and back side).

See FIG-3



FIG-3 Install the bottom panel onto the ground

2. *Place the back panel.* (Note: Align the back panel with bottom panel's corresponding battens; make sure they are in position. **See FIG-4**



FIG-4 Install the back panel

3. *Place left panel.* (Note: Align the left panel with bottom panel's corresponding battens and make sure left panel fits into back panel's groove and then lock the latch.) **See FIG-5**



FIG-5 Install the left panel

4. *Place right panel.* (Note: Align the right panel with bottom panel's corresponding battens and make sure right panel fits into back panel's groove, and then lock the lock. **See FIG-6**



FIG-6 Install the right panel

5. *Place the bench.* (Note: Put the bench into position on the supports fixed on left and right panel. **See FIG-7**



FIG-7 Install the bench

6. *Place the connection bar to the front panel.* (Note: Place latch of front panel into connection bar, screw them tightly from the connection bar side.) **See FIG-8**



Fig-8 Install the connection bar to the front panel

7. *Place front panel.* (Note: Place right panel's latch and left panel's latch into the fixed connection bar, then screw the front panel and the two sides panels tightly from the connection bar side). **See FIG-9**



FIG-9 Install front panel

8. *Place the top panel.* (Note: Make sure all the connection wires for heaters and digital devices go through the corresponding holes of the top panel. Place the top panel properly and screw it down tightly). **See FIG-10**



FIG-10 Install top panel

9. *Fix the color panel to the connection bar.* (Note: Put the color panel into the right panel to front panel edge/left panel to front panel edge, place them in position and make them looks same height and effect, then screw them inside the sauna room from the connection bar.) **See FIG-11**



FIG-11 Install decoration column

10. *Connect all the wires for heaters and digital devices on the top panel.* (Note: Make sure all the wires for heaters and digital devices are connected with plugs from the control box tightly). **See FIG-12**



FIG-12 Connect all the wires for

heaters and digital devices on the top panel

11. *Place the ceiling cover.* (Note: Make sure the ventilation hole in the ceiling cover is just over the control box, and then screw the ceiling to the panels tightly.) **See FIG-13**



FIG-13 Place the ceiling cover

12. *Install the door handle.* (Note: Place the door handles oppositely and into the hole of the glass door, then screw them tightly). **See FIG-14**



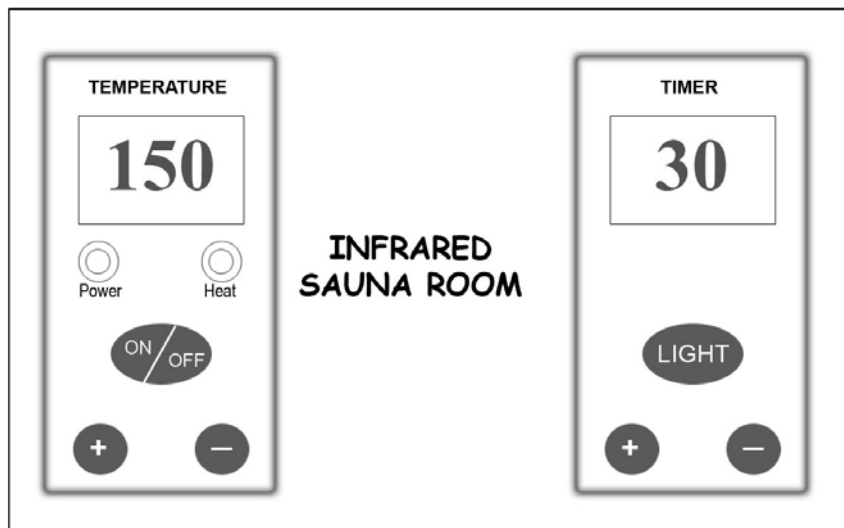
FIG-14 Install the door handle

13. *Install the shelf.* (Note: Insert the shelf correctly and firmly into wood frame in front panel). **See FIG-15**



FIG-15 Install the shelf

Color Therapy LED Operating Instruction



Please operate Color Therapy LED by Control Panel as above.
Please read the instruction guide as below before operation.

1. Press **LIGHT** key to switch LED light and spotlight when power on
2. Press and hold **LIGHT** key for 3 seconds, when it shows "2n" on Timer screen.
 1. Press **LIGHT** key to change the color of LED, it has eight different kinds of colors appearing in turn when press the key continuously.
 2. Press **+** key to switch on/off the spotlight
 3. Press **-** key to switch on/off the LED
3. Press **LIGHT** key to control both led and spotlight at the same time when there is no "2n" on Timer screen

OPERATION

- a) Plug the sauna room into the socket (Note: Do not share the socket with any other electric appliances.)
- b) Press the 'ON/OFF' button on control panel to start the sauna room. (Note: Unplug the sauna when not in use for long periods.)
- c) Set the desired sauna temperature and time. For first time users start with a low temperature and short time per session and slowly increase to the desired temperature and time.
- d) Let the sauna preheat before entering in the sauna room.
- e) To use the sauna room ensure you hydrate you body drink water before, during and after a sauna session.
- f) Press the 'temperature' button '+', '-' to set the temperature. Press '+' button one time, the temperature will raise 1°C. Hold down the '+', '-' longer than three seconds and the temperature will set rapidly. Decrease the temperature in the same manner by pressing '-' button. To adjust the temperature during a sauna session, you will have to turn off the display by pressing 'on/off' button to set new temperature.
- g) Press the 'time' button '+', '-' to set sauna time. The operation method is the same as above. When the display time in the digital control panel reaches '05', the buzzer will beep for 1 minute to inform you it will stop working 5 minutes later.
- h) When the temperature inside the sauna room reaches the set temperature, or the time reaches the set time, the "heat" light will turn off and all the heaters will stop working.
- i) Press 'Light' button on the control panel to control LED light inside the sauna room.
(All on-white-red-green-blue-flash-all off)

I. Warnings on operation safety

- ◇ Do not dry clothes/towels inside sauna.
- ◇ Do not touch metal parts in the infrared heaters' cover to avoid burns.
- ◇ Do not touch the light bulb during sauna session. Turn off the light, wait for bulb to cool down, and then replace.
- ◇ Do not spray water onto the heater it will lead to electric shock and damaged heater elements.

TROUBLE SHOOTING

	PROBLEM	Possible Causes	SOLUTION
1	"Power" indicator light not on	The connector is not connected properly	Check the 7-pin connector or replace a new one
		No power supply input	Check the circuitry (especially check if the power supply is turned on)
		Indicator light is defected	Replace the relative Printed Circuit Board (PCB)
2	"Heat" Indicator light not on	The light is defected	Replace the relative PCB.
		The circuit panel or components is defected	Replace the relative PCB.
		The temperature sensor is defected	Check if the connection is loose or replace it
3	Infrared Heater not heating up	The heater is broken	Replace with a new one of the same specifications
		The wire junction or the heater's wire is loose	Check and make them tight
		The temperature sensor is broken	Check junction of the temperature if the sensor is loosen or replace it
		The fuse in control box is broken	Replace it with a new fuse
		The circuit panel of the relay is not working	Replace the circuit panel
4	Unfamiliar smell from the sauna	1) There is something around the heaters	Remove it
		2) A heater's temperature is too high.	Turn off the power supply and replace it
		3) Some parts on the PCB is burnt or broken	Replace it with a new PCB
5	LED lamp not working	1)Connection is loose	Re-connection it tightly
		2)LED bulb is broken	Replace a new one
		3)Power supply does not work	Replace it with a new power supply
6	Speaker is not working	1)Speaker is defected	Replace with a new speaker
		2) Speaker wire is loose	Re-connection it tightly

7	MP3 Player not working	Power connector is loose or damage	Check connector or replace it
	Problem	Possible Causes	Solution
8	Sauna room not working	Power cord is unplug	Plug back power cord to outlet
		Outlet has no power	Check outlet or circuit breaker
		The switch power or PCB has problem	Replace the switch power or related PCB
9	The temperature display show "EP"	The connector of temperature sensor is loose or sensor damaged	Tighten the temperature connector sensor or change a new temperature sensor.
10	The temperature display show "H"	The temperature inside the sauna room is too high	Turn off the unit, and contact the manufacture.

MAINTENANCE

Cleaning

Wipe down the walls with a damp cloth mixed with a mild soap and water then dry with a towel

Do not use benzene, alcohol, or strong cleaning chemicals on sauna.

NOTE: Any chemical that can damage wood material will damage the sauna and the protection layer that is on the wood.

***** Suggest: do not keep the sauna or MP3 player work for more than 2 hours if the sauna is left unattended.**

TRANSPORTATION AND STORAGE

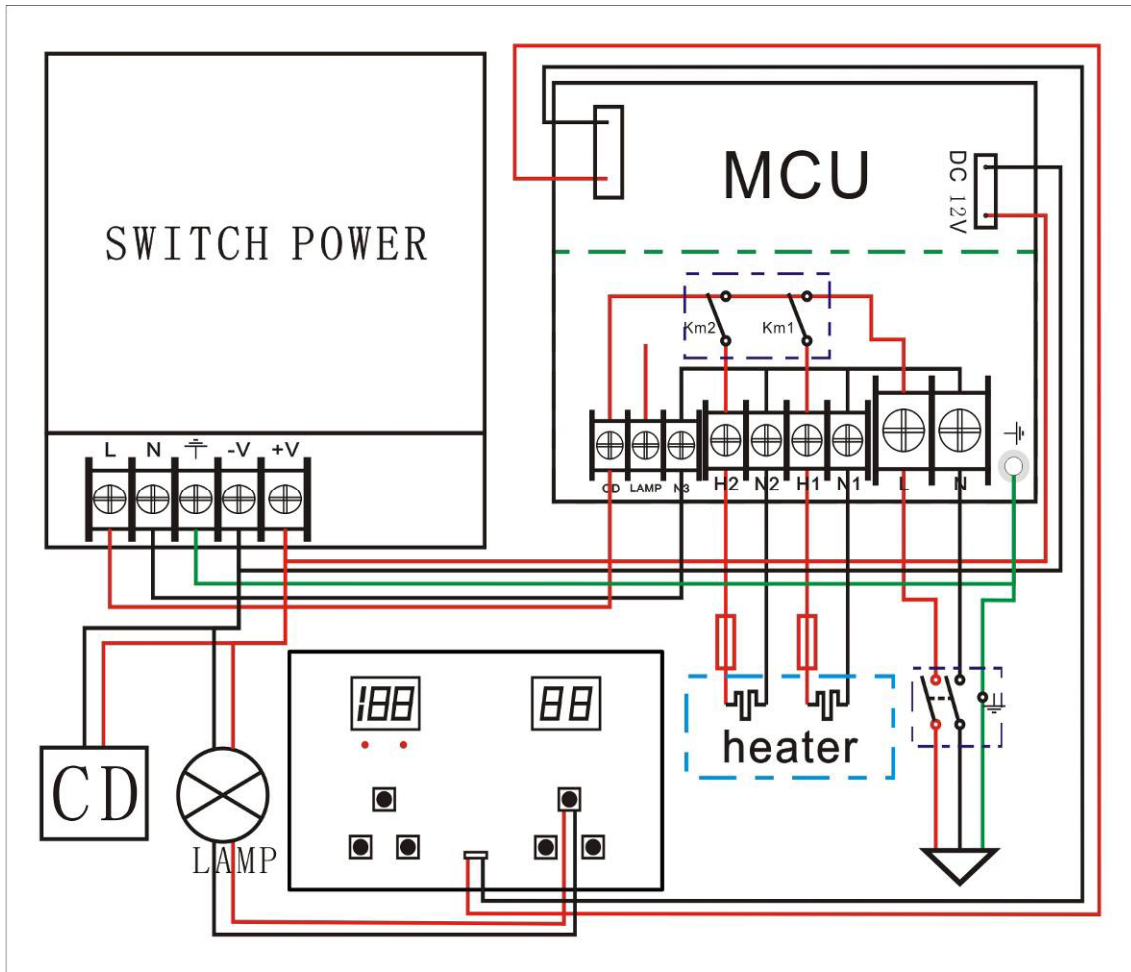
1. Avoid exposure to rain, snow and strong collisions during transportation
2. Do not store in wet environments.

PACKING LIST

Name	Quantity	Confirmation	Name	Quantity	Confirmation
Front Panel	1pc		Ceiling Cover	1pc	
Back Panel	1pc		Connection Bar	2 pcs	
Left Side Panel	1pc		Decoration Column	2 pc	
Right Side Panel	1pc		Shelf	3 pc	
Bottom Panel	1pc		Door Handle	1 pc	
Top Panel	1pc		Screw , bolt	1 bag	
Bench	1pc		Instruction manual	1pc	

THANKS FOR CHOOSING OUR SAUNAS!

ATTACHMENT: ELECTRIC APPLIANCE DIAGRAM



SaunaGen ® Infrared Sauna Warranty

Five-year limited warranty on electrical, heater and cabinetry.

One-year limited warranty on control unit.

THIS UNIT IS MEANT FOR INDOOR USE ONLY. WARRANTY IS VOIDED IF SAUNAGEN INFRARED SAUNA IS PLACED IN AN OUTDOOR ENVIRONMENT.

Limited warranty on SaunaGen Infrared Sauna replacement part . SaunaGen warrants its products to be free of defects in material and workmanship. Parts, which become defective within the warranty period, will be repaired except for damage due to negligence, abuse, misuse, misapplication, unauthorized modifications, improper installation, or normal wear and tear.

SaunaGen will not be responsible for labor incurred by its authorized service agents per pre-established takes in removing, inspecting and reinstalling the warranty parts. SaunaGen will not cover any labor costs attributable to disassembly and reassembly of the unit. SaunaGen will not be responsible for labor costs of the routine maintenance, adjustments or alterations to the calibration of the electrical devices.

Any parts claimed to be defective must be shipped freight prepaid, to SaunaGen and the repaired or replaced product will be returned to the sender freight collect. When sent to SaunaGen, the product must be accompanied by the sales receipt or other proof of purchase date, as well as the sender's name, mailing address, daytime telephone number and any other information relating to the sender's claim. This warranty applies to products produced by SaunaGen after January 1, 2011.

This warranty is not transferable and can be enforced only by the "Original Owner". The Original receipt must provide at the time of claim. This warranty shall not apply to any product or component used in any industrial, rental, club or commercial purpose. This warranty shall not apply to any claims arising from the misuse, neglect, accident, abuse, improper installation, including but not limited to exposure to fire or to excessive heat, and other hazards of nature. Under no circumstances will SaunaGen be liable for any special or consequential damages arising from the use of the product, components, and the parts attached, or installed with it. Nor for injury to any person, any claims for damages arising from the use, installation or servicing of the product. The purchaser is responsible for providing adequate access to the equipment so that any necessary service may be performed. The purchaser must establish, by dated sales slip, invoice or deliver receipt, the date of purchase. All costs for removing and reinstalling the sauna including the freight charges to and from customer shall be at the customer's expense.

Jurisdictional provision: the laws of the State of California control the provisions of this document. By accepting this warranty the buyer subjects itself to the jurisdiction of the laws of the State of California and agrees that place of suit shall be in Sacramento County, California, USA.

Attached hereto is the warranty card, which must be completed and returned to SaunaGen within thirty (30) days from the date of purchase of the SaunaGen products. Failure to return the warranty card within thirty days of purchase will void this warranty without any further notice.

REGARDLESS OF THE WARRANTY CARD BEING RETURNED WITHIN THE SPECIFIED TIME PERIOD. THERE SHALL BE NO WARRANTIES OR OBLIGATIONS; EXPRESS OR IMPLIED HEREUNDER, SPECIFICALLY EXCLUDING ANY IMPLIED WARRANTY OF MERCHANTABILITY OR FITNESS FOR A PARTICULAR PURPOSE, OTHER THAN SPECIFICALLY DESCRIBED HEREIN. NO LIABILITY SHALL ACCRUE TO SAUNAGEN EXCEPT AS SET FORTH HEREIN.

Please register your SaunaGen® product to receive a full warranty. Please fill out the following information and mail or fax the form to the following address within 30 days from the date of purchase:

SaunaGen®
8372 Tiogawoods Drive, Suite 180
Sacramento, CA 95828
FAX: 916.689.8098

Model (please circle one): LHS-II 2 person Sauna LHS-III 3 person Sauna ELHS-II 2 person Sauna

First Name: _____ Last Name: _____

Home Address: _____

City _____ State _____ Zip _____

Phone: _____ Fax: _____

E-mail Address: _____

Purchase Date: _____

Dealer Name: _____

C/No. (located outside of the package) _____

Optional: Please answer the questions below for us to better serve you and to improve customer care.

What is the primary reason you purchased SaunaGen® Infrared Sauna?

What was the greatest influence on your decision to purchase SaunaGen® Infrared Sauna?

What magazines or publications do you subscribe to?

Where did you hear about SaunaGen®?

Suggestions/Comments: